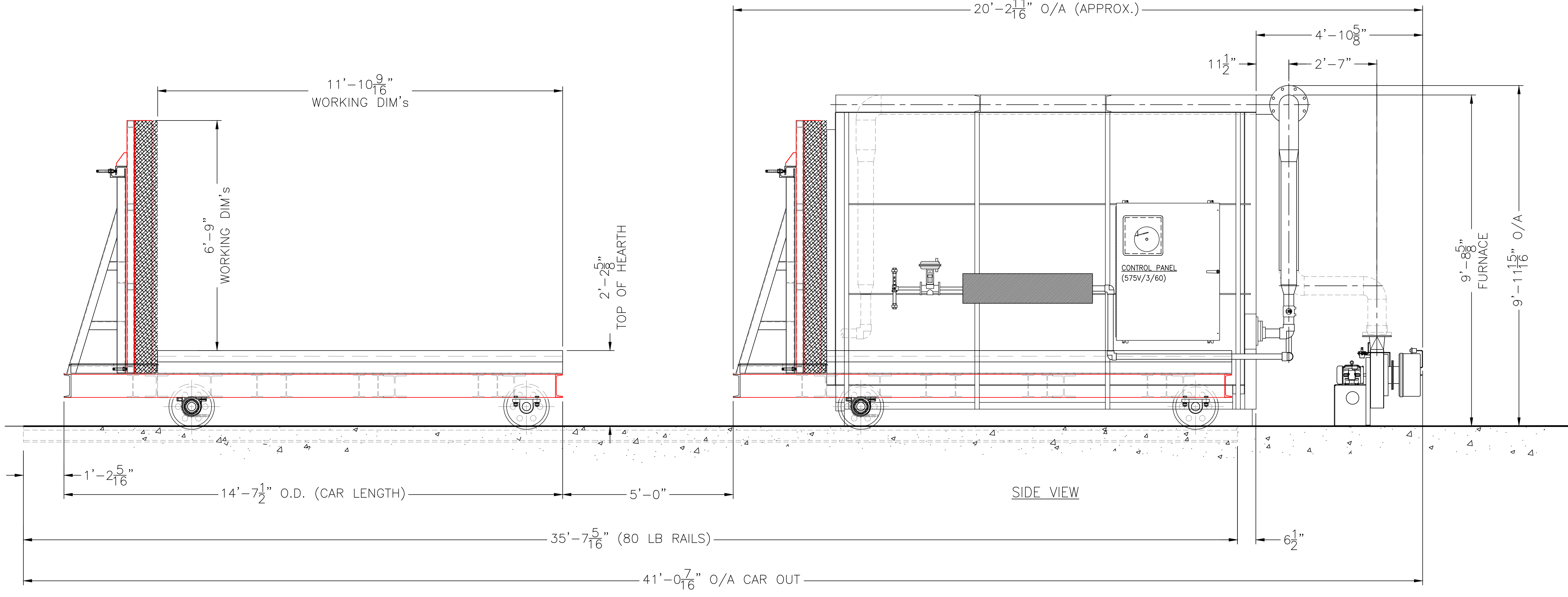
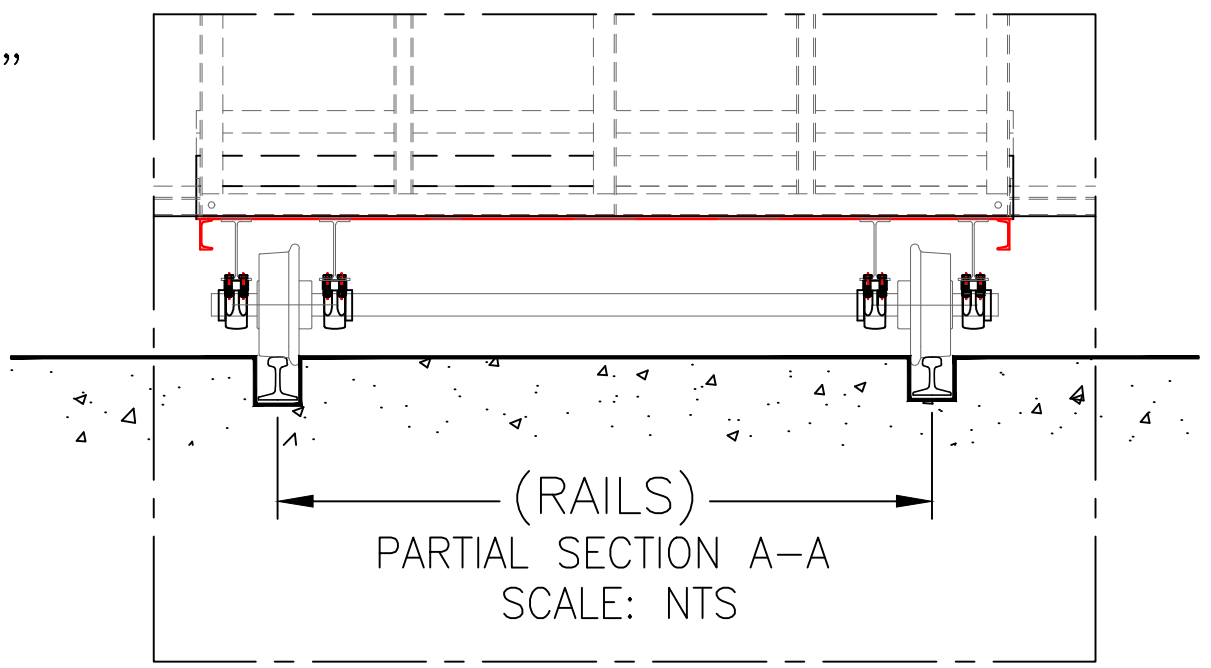
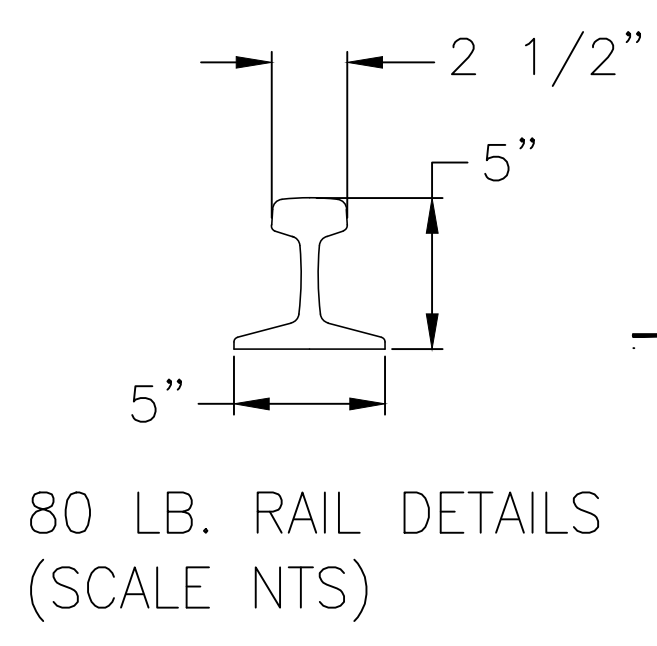


TOP VIEW



APPROVAL DRAWING

PARK THERMAL INTL. (1996) CORP.

- Date Submitted:
- APPROVED AS SHOWN
 - APPROVED AS NOTED
 - MAKE CHANGES AS NOTED AND RESUBMIT

SIGN & RETURN ONE COPY

BY _____

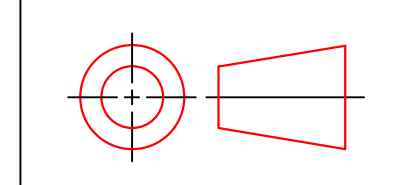
TITLE _____

DATE _____

REVIEWED FOR GENERAL ARRANGEMENT ONLY AND SUBJECT TO ANY REVISIONS SHOWN. MATERIAL, WORKMANSHIP, DIMENSIONS, FIELD CLEARANCES & DESIGN SHALL BE IN ACCORDANCE WITH REQUIREMENTS OF CONTRACT DOCUMENTS.

No.	Revision	Date	By
0	ISSUED FOR APPROVAL	10.18.13	JP

This drawing is the property of Park Thermal International (1996) Corporation and is subject to return upon request. It is loaned on expressed condition that it is not to be used directly or indirectly in anyway detrimental to the interest of this company.



PARK THERMAL INTL. (1996) CORP.
 62 TODD ROAD, GEORGETOWN
 ONTARIO, CANADA L7G 4R7
 PHONE: (905) 877-5254 FAX: (905) 877-6205

Project:
 ABS MACHINING INC.
 1495 SEDELSOMB DRIVE
 MISSISSAUGA, ONT.
 L4X 1M4

Title:
 GAS FIRED CAR BOTTOM FURNACE
 GENERAL ARRANGEMENT - ASSEMBLY

By: JP	Date: 10/18/13
Check: R.T.	Job No.: -
Scale: NTS	Dwg. No. 14989